



K22 Barcode Scanner Quick Installation Guide



Rev 1.01

1 Accessories

1x Barcode Scanner



2x M3x6 Screw

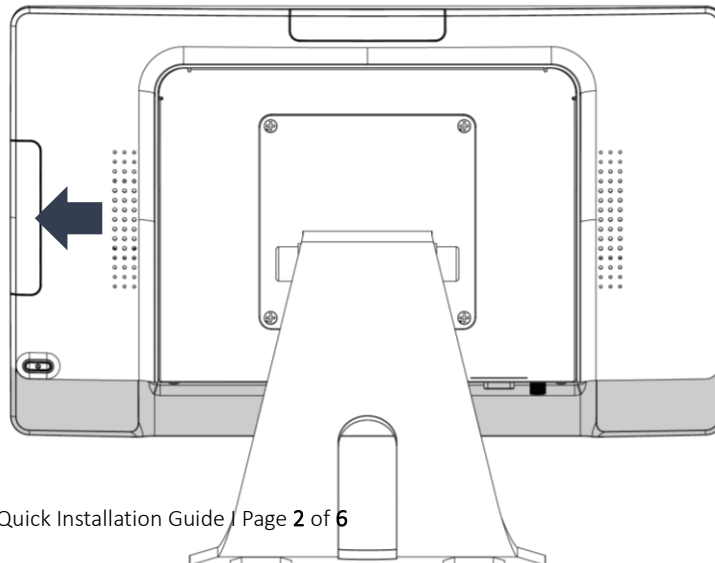


2 Installation

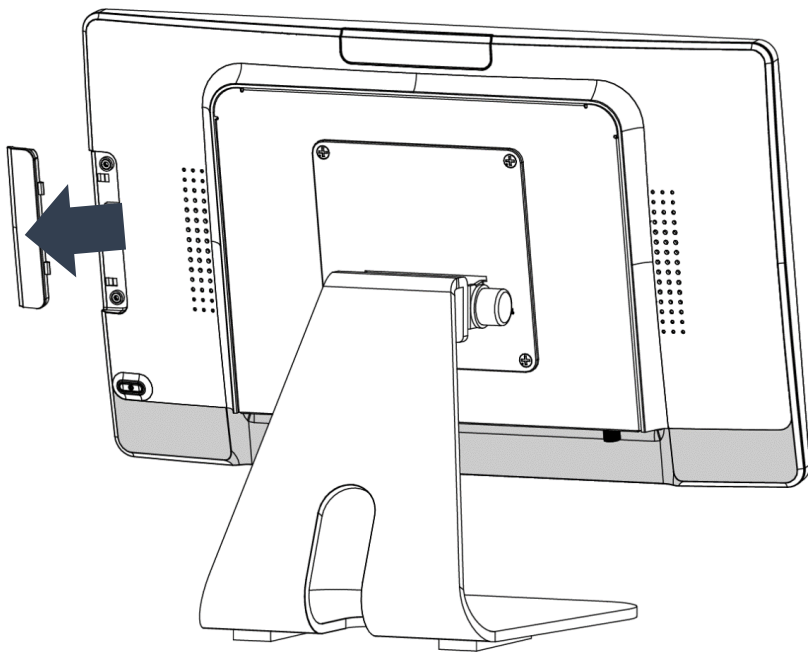
If you plan to use the scanner as a virtual serial port, please go to the element website to verify you have the latest VCOM port drivers before starting the installation of this device.

<https://www.elementpos.co/downloads>

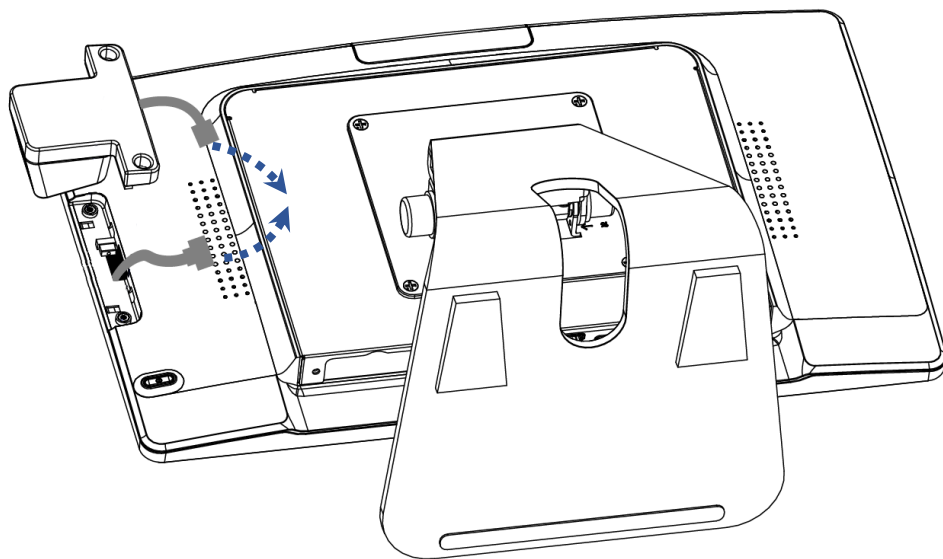
1. The location to mount the barcode scanner is on the left side of the rear touch computer in either portrait or landscape.



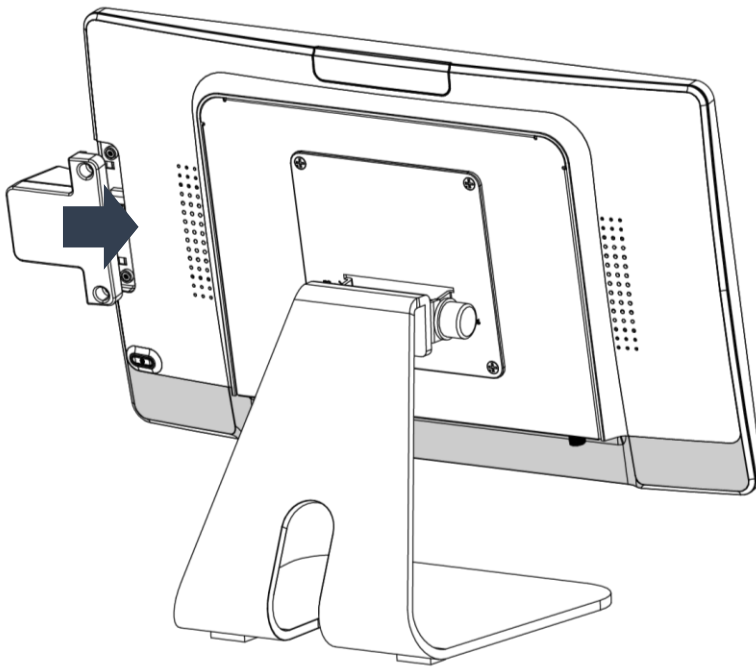
2. Remove the side cover from the touch computer.



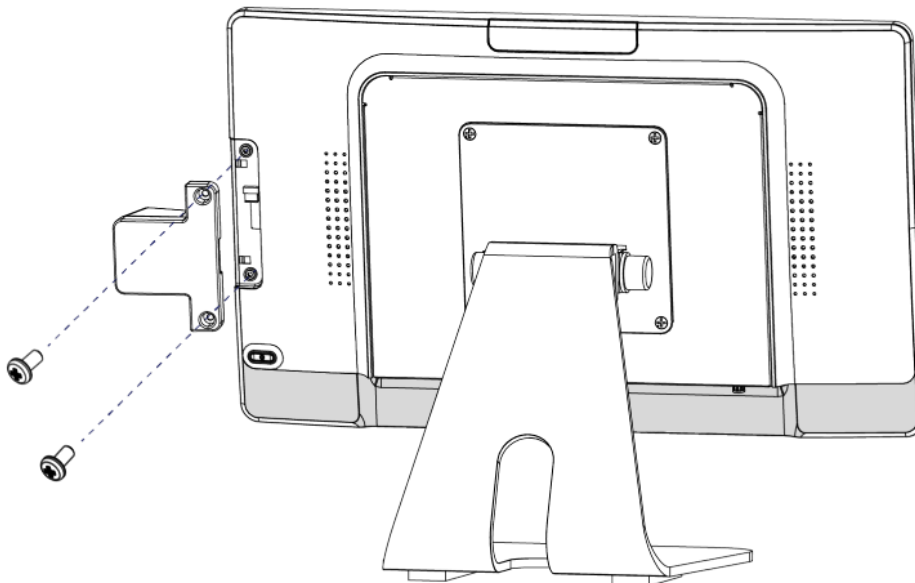
3. Connect the barcode scanner cable to the touch computer.



4. Gently attach the barcode scanner on the touch computer and make sure the connector is properly aligned and mated.



5. Secure the barcode scanner with the included two M3x6 screws to the touch computer.



3 Default Settings

Element Barcode Scanner Default Setting

The K22 Barcode Scanner is ready to use in its default mode. The default parameters are:

Back to Element Default Setting



Element Barcode Scanner Default Code

USB



USB Serial Interface



USB PC Keyboard



USB HID

Beeper Volume



Low



Medium



High



Off

Keyboard Country Layout



Unite States



French



German



Italian

Presentation Mode



Presentation Mode



Presentation Mode -
Extend

Streaming Presentation



Normal



Enhanced



Mobile Phone

Reset



Reset