



PP-9732WL 22" FANLESS PPC

FEC

ELEVATE YOUR BUSINESS

2023/01/18

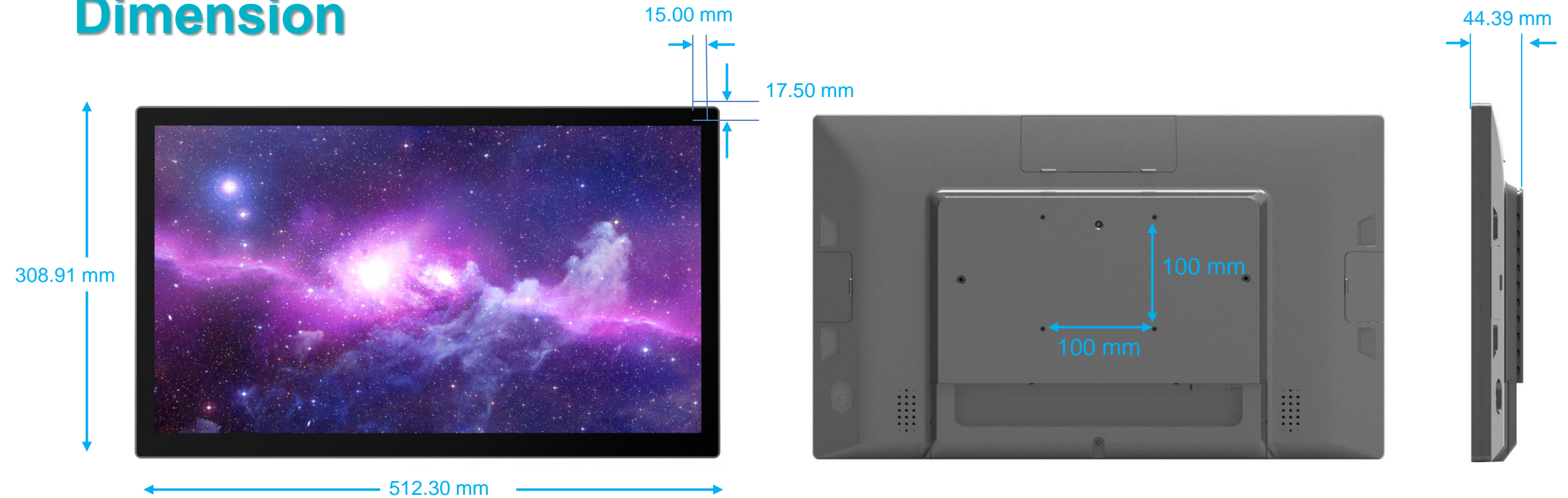
© COPYRIGHT 2019 FIRICH ENTERPRISES CO., LTD. ALL RIGHTS RESERVED.

FEC

Outlook



Dimension



Product Description

21.5" 1920 x 1080 P-cap Touch Display

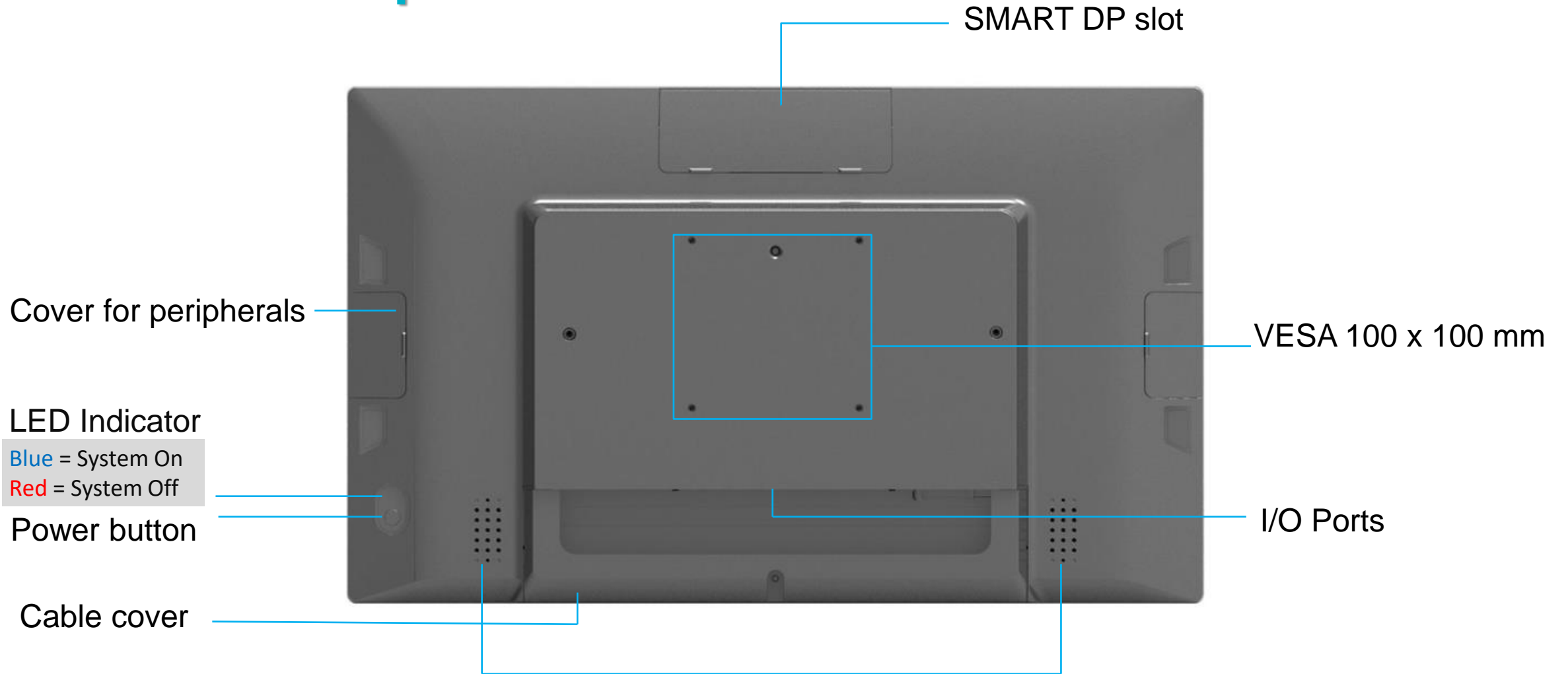
Wifi 802.11 a/b/g/n/ac & Bluetooth 4.2
(Optional)



Hidden Ventilation Holes



Product Description



Features



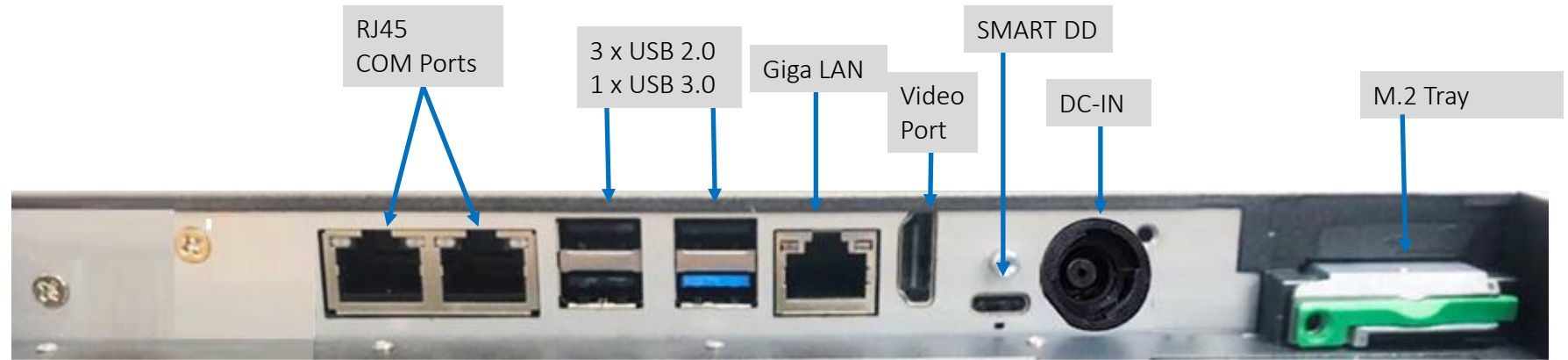
- **Slim Border:** A Fanless 22" Touch Display with slim border (Up/Bottom 17.5mm, Right/Left 15mm)
- **High performance:** Powered by Intel Elkhart Lake J6412 ultra low power processor. Featuring advanced CPU and graphic performance with integrated IoT feature and longevity support.
- **Mounting:** Adjustable view angle on desktop stand and VESA 100 x 100 for wall mount bracket.
- **Easy for maintenance:** Easy to access DRAM/ SSD/ MB

Product Specifications – PP-9732WL

Model	PP-9732WL
Processor	Intel® Celeron® Processor J6412 (1.5M Cache, up to 3.00 GHz)
Memory	DDR4 (1 x SODIMM Socket) Up to 32GB
Storage	1 x M.2 PCIe GenIII / SATAIII (Default) Tray
Display Size & Aspect Ratio	21.5"
Brightness & LED Life	250 nits / 50000 hr
Resolution	1920 x 1080
Touch	P-CAP
Power	65W
Mounting	VESA 100 x 100
Speaker	2W x 2
Power adapter	90W or 130W
TPM2.0	Intel PTT
Sensor, Camera	None
WIFI/BT	None
OS Support	Windows 10 & 11 Enterprise Linux by Request

I/O Interface

PP-9732WL



Peripherals

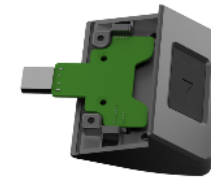
PERIPHERAL MODULES (Optional)



Add-on Devices



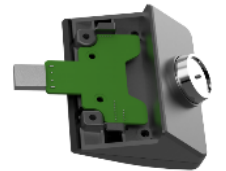
MSR



Fingerprint Reader



RFID

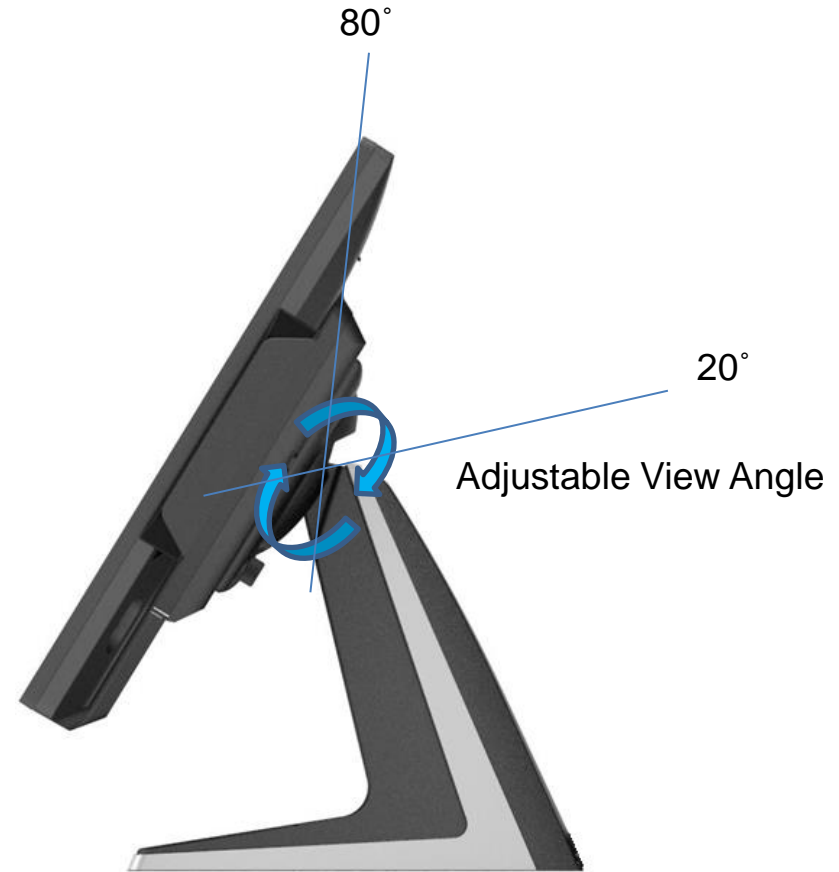


i-Button

MOUNTING OPTIONS - Stand



Cable Management



2nd DISPLAY (Optional)



SMART DP
• XM-1010W



2nd DISPLAY (Optional)

SMART DP
• XM-1010W

2nd Display Options

- 10" (XM-3010W DD)
- 15" (XM-3015 DD)
- 15.6" (XM-3015W DD)



MOUNTING OPTIONS



Xelf



XPPC Stand



Wall Mount



Pole



MOUNTING OPTIONS - Xelf

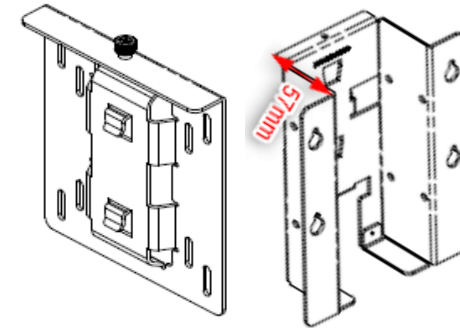


MOUNTING OPTION – Wall Mount Bracket



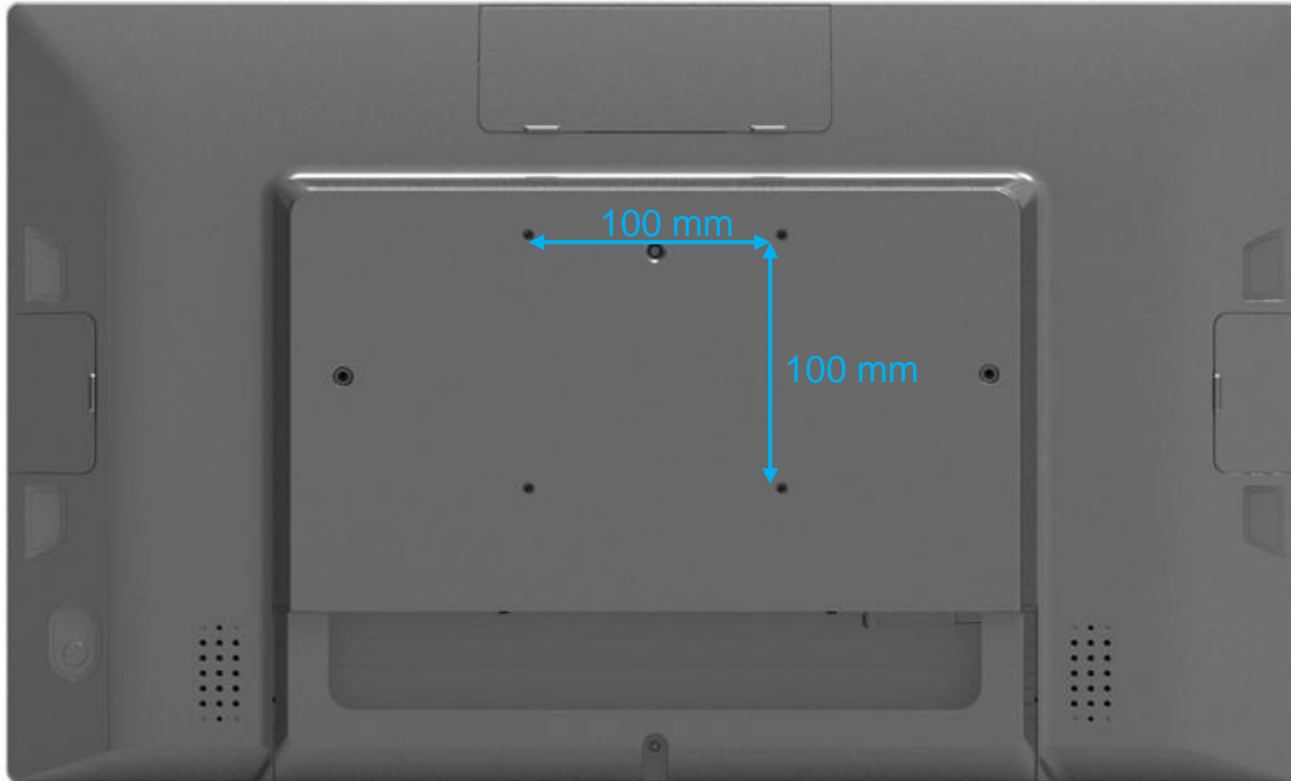
Type 1 FEC Universal Mounting Kit

- Thickness of wall mount bracket (no space for power adapter)= 21mm

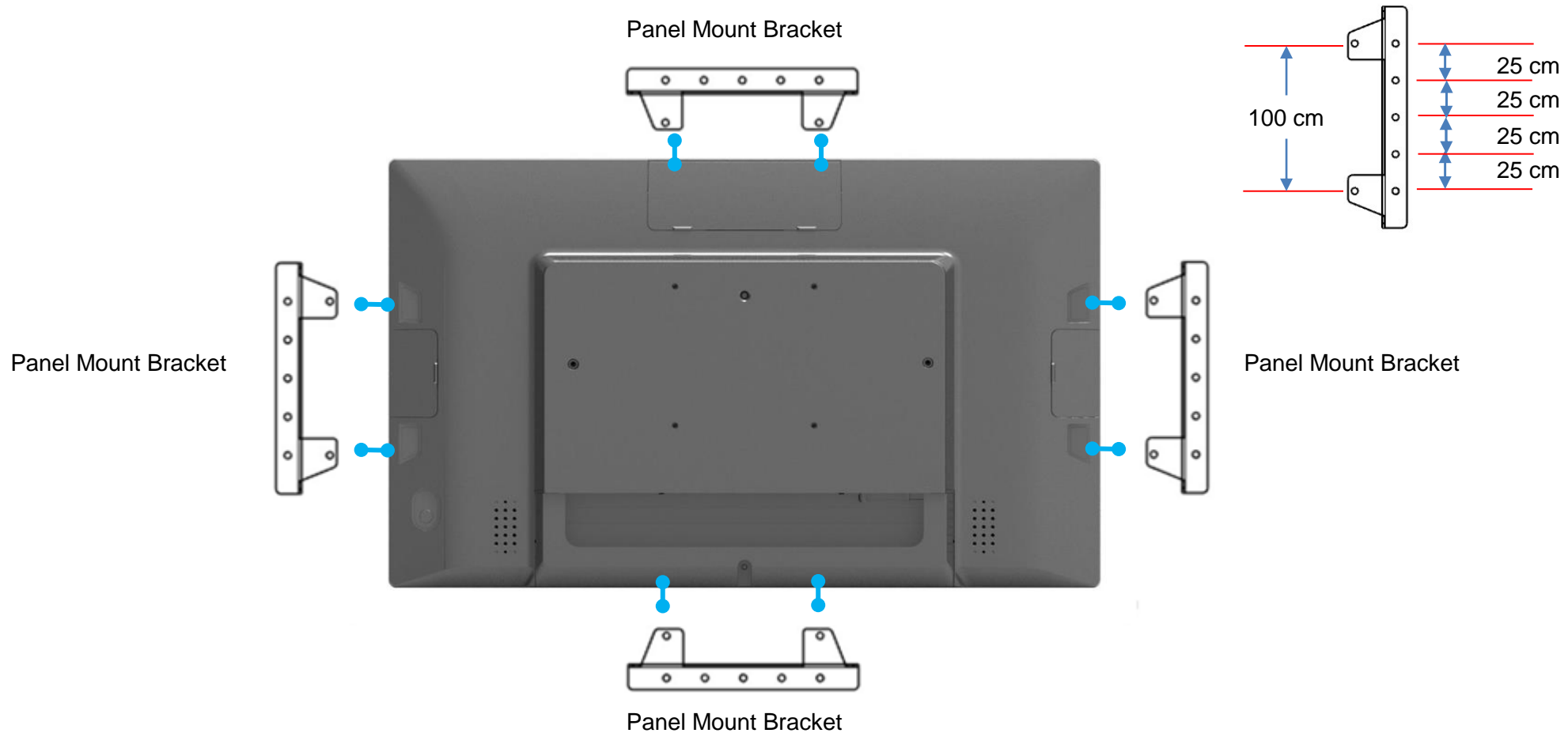


Type 2 FEC Mounting Kit

- Thickness of Wall Mount bracket (space for power adapter)= 57mm



MOUNTING OPTION – Panel Mount Bracket



A background network diagram consisting of a complex web of thin grey lines connecting various circular nodes. The nodes are mostly light grey, but several are highlighted in a vibrant cyan color. The overall aesthetic is clean, modern, and tech-oriented.

FEC

ELEVATE YOUR BUSINESS

THANK YOU